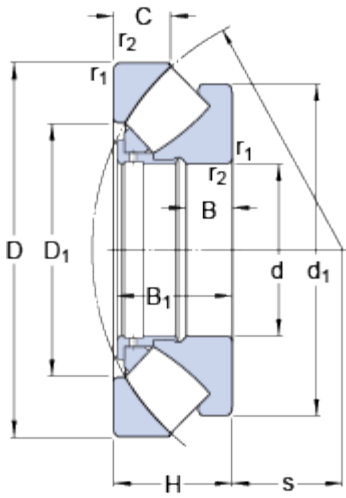


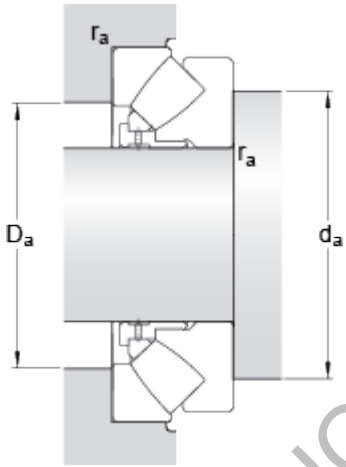
29496E

Dimensions



d	480	mm
D	850	mm
H	224	mm
d ₁	≈ 770	mm
D ₁	≈ 625	mm
B	88	mm
B ₁	216	mm
C	108	mm
s	280	mm
r _{1,2}	min. 9.5	mm

Abutment dimensions



d _a	min. 660	mm
D _a	max. 735	mm
r _a	max. 8	mm

Calculation data

Basic dynamic load rating	C	9550	kN
Basic static load rating	C ₀	39000	kN
Fatigue load limit	P _u	2800	kN
Reference speed		340	r/min
Limiting speed		670	r/min
Minimum axial load factor	A	140	

Mass

Mass bearing		550	kg
--------------	--	-----	----